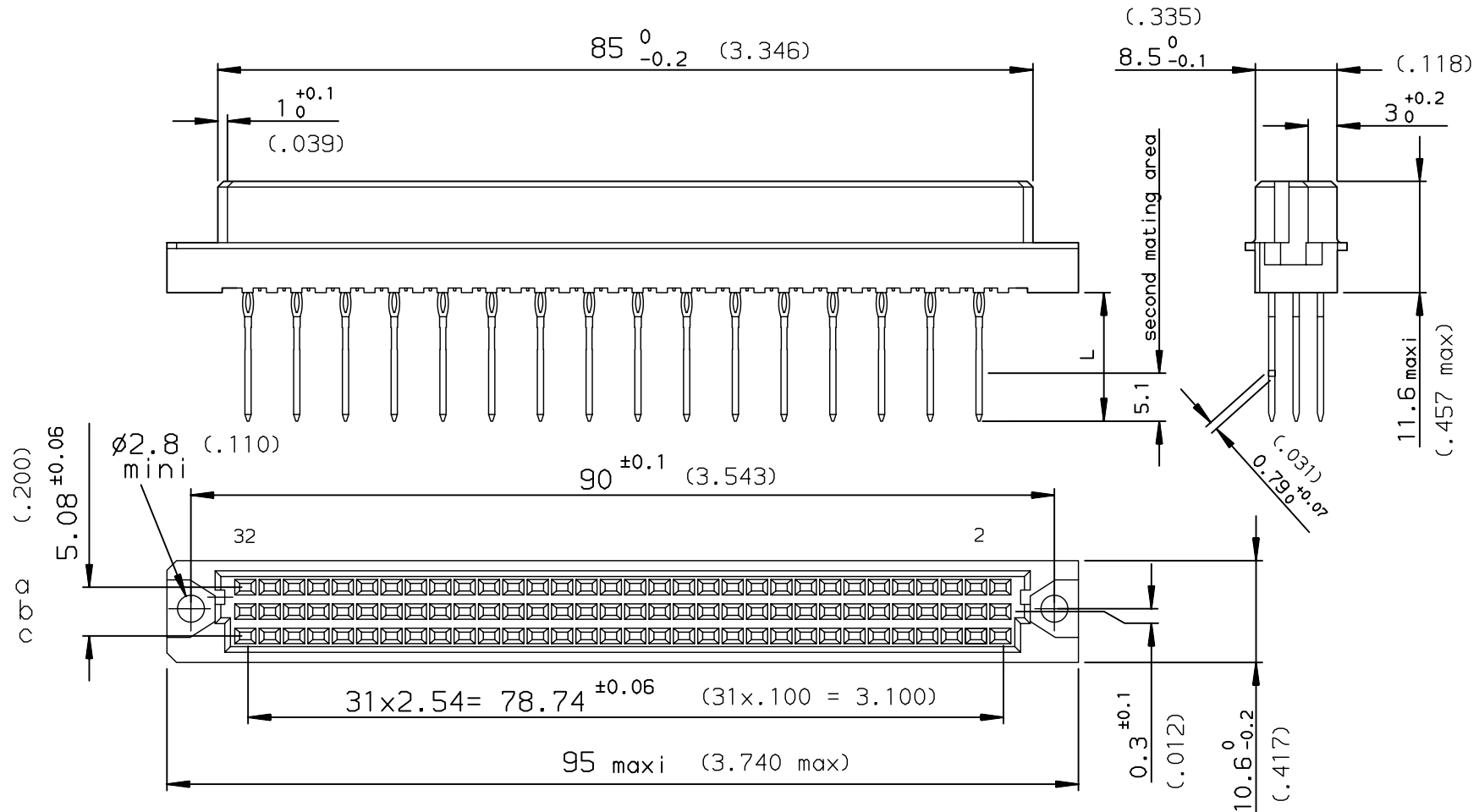


DIMENSIONS mm (inches)



ELECTRICAL DATA

-Current at AMB.	1.5 A at 20° C / 1 A at 70° C
-I max	2A
-Contact resistance	≤20mΩ according to DIN 41640 Teil 4 test 2a
-Insulation resistance	≥10 ⁶ MΩ according to DIN 41640 teil 7 test 3a
-TEST VOLTAGE	according to DIN 41640 teil 21
contact/contact	1000V eff (0.5 mA / 50 Hz)
contact/ground	1550V eff (0.5 mA / 50 Hz)
-Press Fit termination resistance	≤ 1 mΩ

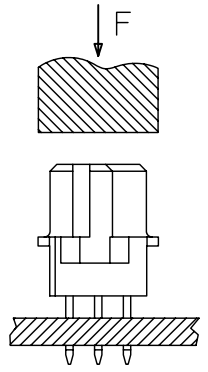
MECHANICAL DATA

-Mating force	48 Cts : ≤45N (10.15 lb) / 32 Cts : ≤30N (6.8 lb)
-Unmating force	48 Cts : ≥7N (1.6 lb) / 32 Cts : ≥5N (1.15 lb)
-Mechanical endurance	class 1 500 matings unmatings according to DIN41640 teil 21
	class 2 400
	class 3 50
-Press in insertion force per pin	180 N (40.7 lb) max / 75 N (17 lb) standard
-Material insulator	Polyester thermoplastic UL94V0
-Material contacts	Phosphor bronze
-Finishing contact surface	Gold over Nickel
-Finishing termination	Tin Lead
-Shock	≤40mΩ according to DIN 41640 Teil 14 test 6c
-Vibration	class 1 10-2000Hz/20g according to DIN 41640 Teil 15
	class 2 10-500Hz/5g
-Backpanel or PCB thickness:	1.6 , 2.4 or 3.2 mm

ENVIRONMENTAL DATA

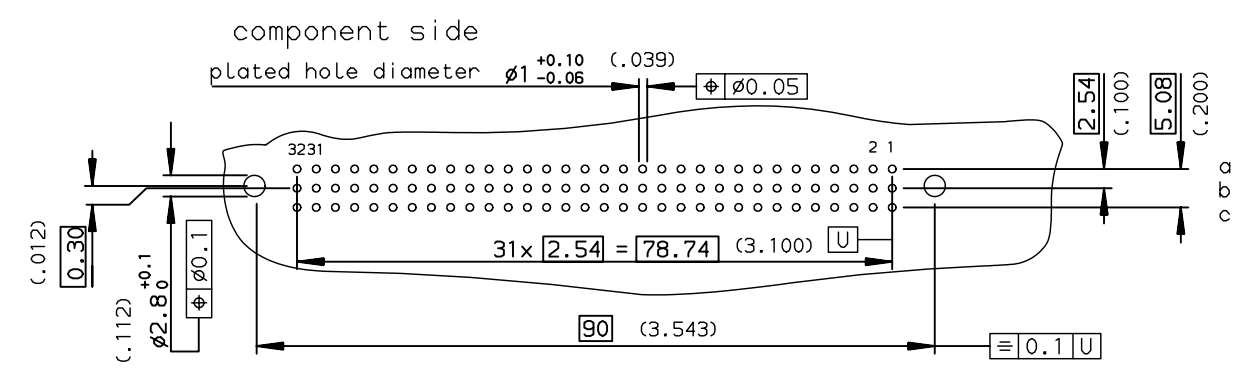
-Climatic category	According to DIN 41612
-Corrosion	According to DIN 41612

METHOD OF INSERTION ON THE PCB = FLAT ROCK



PERFORMANCES AS PER DIN 41612

PCB DRILLING



European Views

PART NUMBER	8609	81	7	8-000-A
PIN OUT	rows a-b-c	3	48	
	rows a-c	4	32	
NUMBER OF CONTACTS				
TERMINATION	L = 13.10 ±0.20 (.515)	rear plug up	96	
	L = 17.10 ±0.20 (.673)	- rear plug up + 1 wrap	97	
PERFORMANCE CLASS	DIN 41612 class 3			4
	DIN 41612 class 2			5
	DIN 41612 class 1			6

rev	ecn no	dr	date
D	-	MAS	1999/08/05
E	LS06-0208	LGO	2006/12/16
-	-	-	-
-	-	-	-
-	-	-	-
-	-	-	-

www.fciconnect.com		surface ISO 1302	tolerance std ISO 406 ISO 1101	projection	mm
TOLERANCES UNLESS OTHERWISE SPECIFIED				size	Scale
Dr	TARON	1994/11/14	ANGULAR	A3	1.5
Eng	TARON	1994/11/14	LINEAR	ECN	LS06-0208
Chr	H LEGALLIC	1994/11/14	0.XX ±2°	Spec ref	-
Appr	H LEGALLIC	1994/11/14	Product family	DIN STD	
FCi		title STRAIGHT FEMALE - STYLE C		dwg no	Rev.
catalog no		PRESS FIT REAR PLUG UP		C-8609-0438	E
				CUSTOMER	sheet 1 of 1